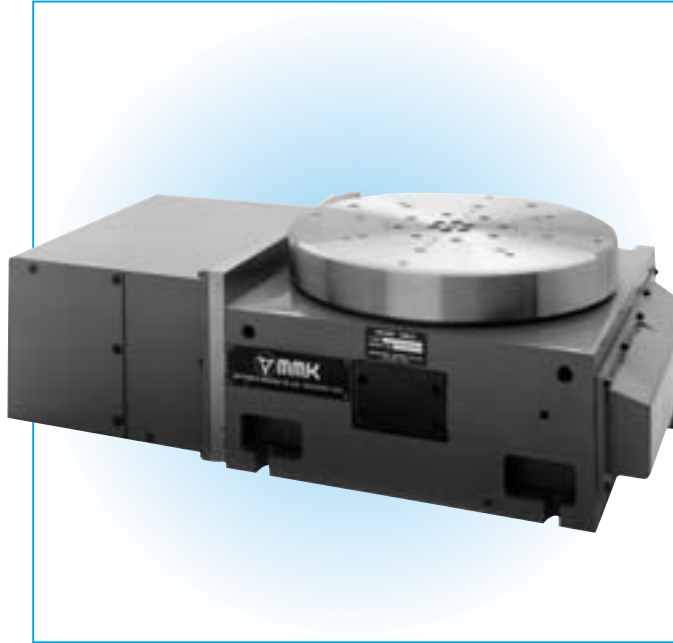


MDO TYPE

HORIZONTAL TYPE



NC ROTARY TABLE

**HIGH ACCURACY, HIGH RIGIDITY,
EXCELLENT DURABILITY.**

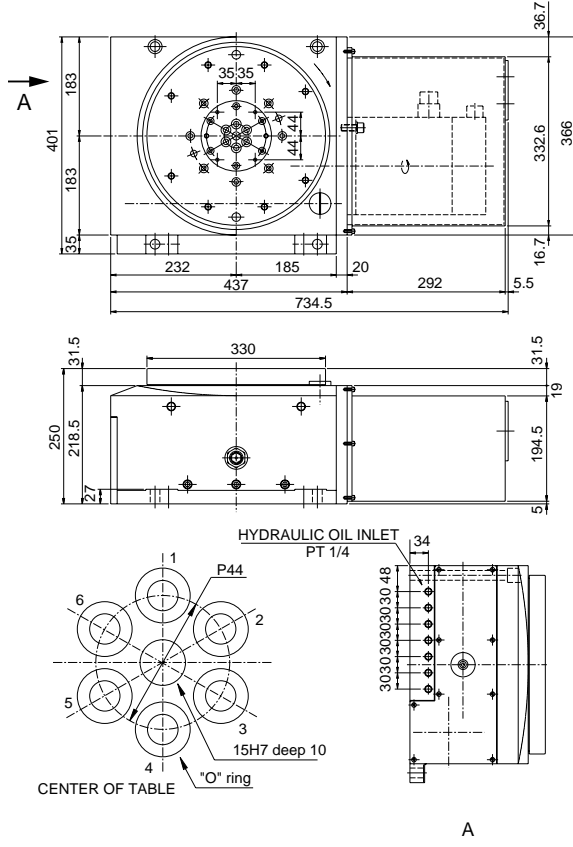
ROTARY JOINT(6-8 PORTS)STORED-IN TYPE
Port is located on side of table,easy to
connect to machine.

MDO 333R(L)
MDO 403R(L)
MDO 503R(L)
MDO 603R(L)

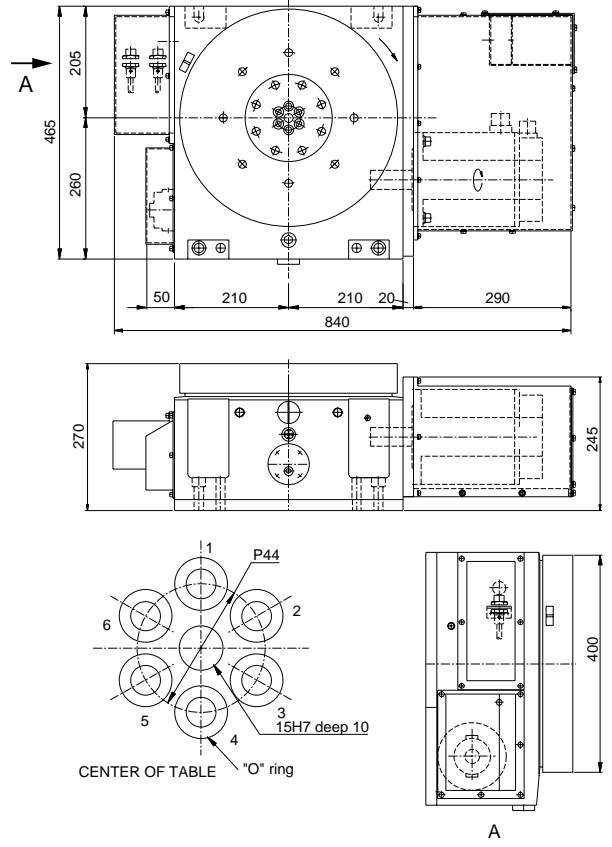
SPECIFICATION

ITEMS	MODEL	MDO333R(L)	MDO403R(L)	MDO503R(L)	MDO603R(L)
TABLE DIAMETER	mm	330	400	500	600
TABLE HEIGHT IN HORIZONTAL	mm	250	270	250	310
OVERALL HEIGHT IN VERTICAL	mm	250	270	450	310
THRU HOLE DIAMETER	mm				
WIDTH OF T-SLOT	mm				
WIDTH OF GUIDE BLOCK	mm(h7)				
MOTOR(FANUC)		12/2000	12/2000	12/2000	22/2000
GEAR RATIO		1/60	1/60	1/60	1/60
MAX. R.P.M	r.p.m.	33.3	33.3	33.3	25
MIN. INDEXING UNIT	degree	0.001	0.001	0.001	0.001
INDEXING ACCURACY	sec	14	12	12	12
REPEATABILITY	sec	± 2	± 2	± 2	± 2
CLAMPING FORCE	N-m	2773	1960	1960	5194
	kg-m	283	200	200	530
HYDRAULIC PRESSURE	M P a	5.9	5.9	5.9	5.9
	kg/cm ²	60	60	60	60
PERMISSIBLE LOAD(HORIZONTAL)	kg	400	500	500	1200
MAX MACHINING FORCE	N-m	735	686	686	2352
	kg-m	75	70	70	240
WEIGHT	kg	205	370	430	630

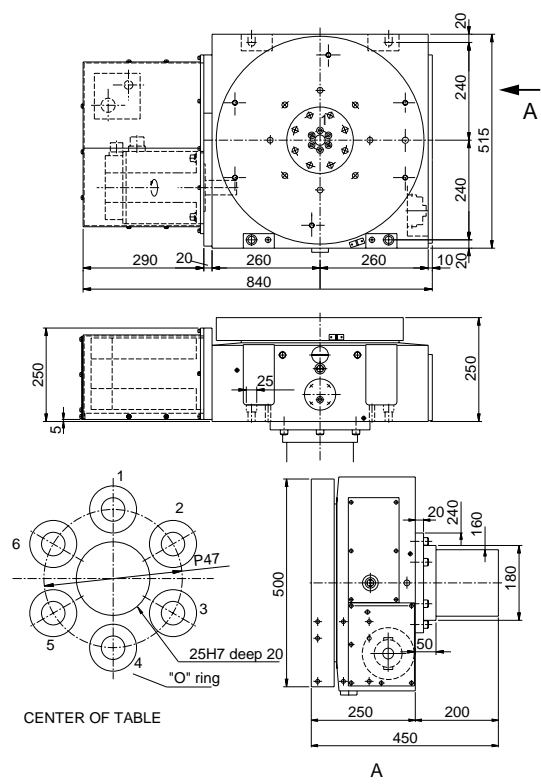
MDO333R



MDO403R



MDO503L



MDO603R

