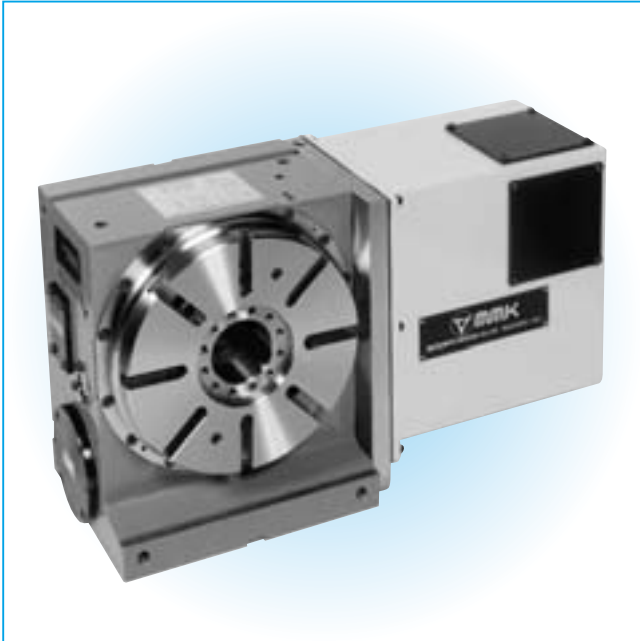


MDH TYPE

HORIZONTAL/VERTICAL TYPE



NC ROTARY TABLE

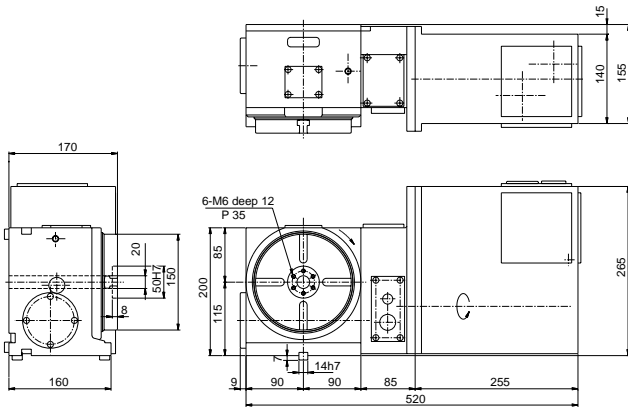
MDH 152R
MDH 232R(L)
MDH 233R(L)
MDH 322R(L)
MDH 323R(L)

Note: (L) means that for higher indexing accuracy, the model with rotary scale built-in is available upon request.

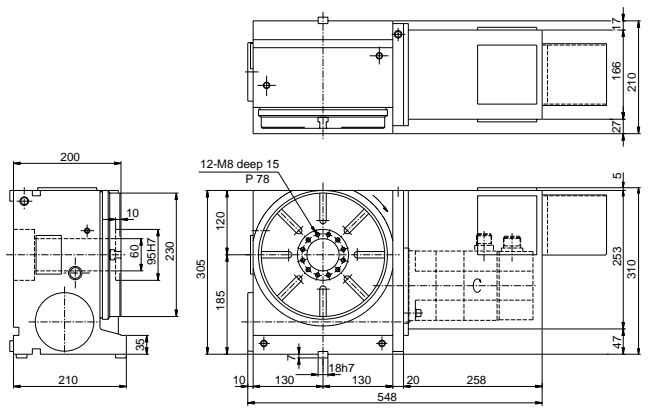
SPECIFICATION

ITEMS	MODEL		MDH152R	MDH232R(L)	MDH233R(L)	MDH322R(L)	MDH323R(L)
TABLE DIAMETER		mm	150	230	230	325	325
CENTER HEIGHT IN VERTICAL		mm	115	185	185	235	235
TABLE HEIGHT IN HORIZONTAL		mm	170	200	200	220	220
OVERALL HEIGHT IN VERTICAL		mm	265	310	310	411	411
THRU HOLE DIAMETER		mm	20	60	60	115	115
WIDTH OF T-SLOT		mm	12	12	12	14	14
WIDTH OF GUIDE BLOCK		mm(h7)	18	18	18	18	18
MOTOR(FANUC)			3/3000	3/3000	6/2000	6/2000	12/2000
GEAR RATIO			1/90	1/120	1/60	1/120	1/60
MAX. R.P.M		r.p.m.	22.2	16.7	33.3	16.7	33.3
MIN. INDEXING UNIT		degree	0.001	0.001	0.001	0.001	0.001
INDEXING ACCURACY		sec	60(10)	14(6)	14(6)	12(6)	12(6)
REPEATABILITY		sec	± 3(3)	± 2(2)	± 2(2)	± 2(2)	± 2(2)
CLAMPING FORCE		N·m	196	284	284	2303	2303
		kg·m	20	29	29	235	235
HYDRAULIC PRESSURE		MPa	4.9	4.9	4.9	4.9	4.9
		kg/cm ²	50	50	50	50	50
PERMISSIBLE LOAD	HORIZONTAL	kg	80	200	200	350	350
	VERTICAL	kg	40	100	100	150	150
MAX MACHINING FORCE		N·m	343	490	735	1117	1117
		kg·m	35	50	75	114	114
WEIGHT		kg	65	110	110	190	195

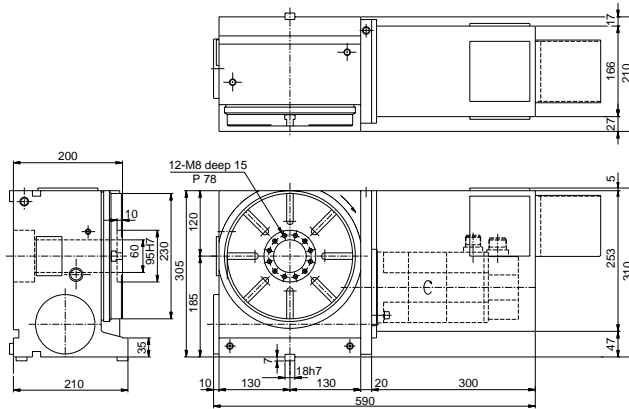
MDH152R



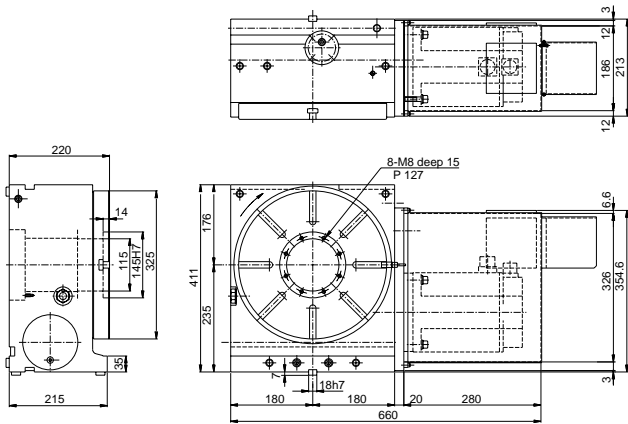
MDH232R



MDH233R



MDH322R



MDH323R

