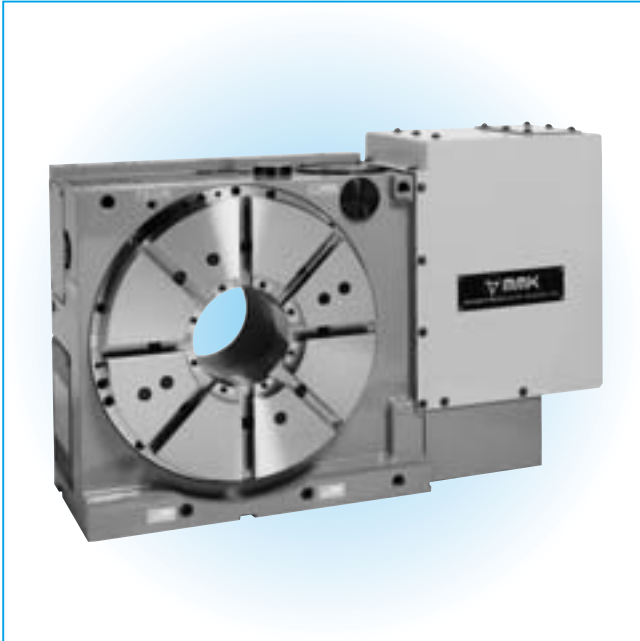


# MD TYPE

## HORIZONTAL/VERTICAL TYPE



# NC ROTARY TABLE

HIGH ACCURACY, RIGIDITY AND ENDURANCE.

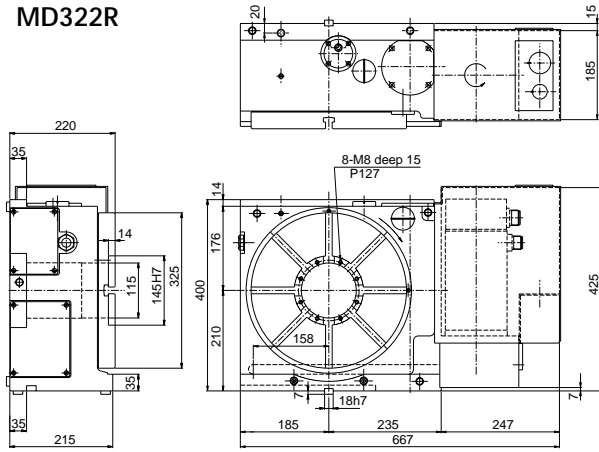
**MD 322R(L)**      **MD 630R(L)**  
**MD 323R(L)**      **MD 632R(L)**  
**MD 400R(L)**      **MD 800R**  
**MD 403R(L)**      **MD 1000R**  
**MD 500R(L)**      **MD 1200R**  
**MD 503R(L)**

Note: (L) means that for higher indexing accuracy, the model with rotary scale built-in is available upon request.

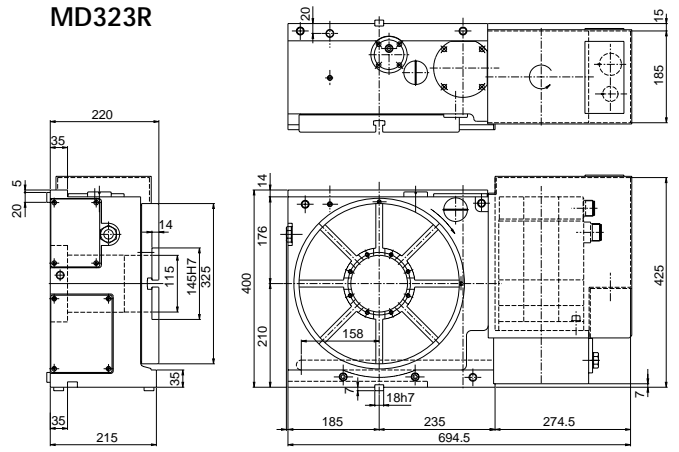
### SPECIFICATION

ITEMS	MODEL		MD322R(L)	MD323R(L)	MD400R(L)	MD403R(L)	MD500R(L)	MD503R(L)	MD630R(L)	MD632R(L)	MD800R	MD1000R	MD1200R
TABLE DIAMETER	mm		325	325	400	400	500	500	635	635	800	1000	1200
CENTER HEIGHT IN VERTICAL	mm		210	210	255	255	280	280	400	400	480	600	
TABLE HEIGHT IN HORIZONTAL	mm		220	220	240	240	250	250	290	290	360	400	400
OVERALL HEIGHT IN VERTICAL	mm		425	425	514	514	549	549	782	782	890	1120	400
THRU HOLE DIAMETER	mm		115	115	170	170	170	170	254	254	254	315	320
WIDTH OF T-SLOT	mm		14	14	14	14	18	18	18	18	18	28	28
WIDTH OF GUIDE BLOCK	mm(h7)		18	18	18	18	18	18	22	22	22	28	
MOTOR(FANUC )			6/2000	12/2000	12/2000	22/2000	12/2000	22/2000	22/2000	22/2000	22/2000	30/2000	30/1200
GEAR RATIO			1/120	1/60	1/180	1/60	1/180	1/60	1/360	1/120	1/360	1/360	1/360
MAX. R.P.M	r.p.m.		16.7	33.3	8.3	33.3	8.3	33.3	5.5	16.7	5.5	4.1	3.3
MIN. INDEXING UNIT	degree		0.001	0.001	0.001	0.001	0.001	0.001	0.001	0.001	0.001	0.001	0.001
INDEXING ACCURACY	sec		12(6)	12(6)	12(6)	12(6)	12(6)	12(6)	12(6)	12(6)	12(6)	12(6)	12(6)
REPEATABILITY	sec		± 2(2)	± 2(2)	± 2(2)	± 2(2)	± 2(2)	± 2(2)	± 2(2)	± 2(2)	± 2(2)	± 2(2)	± 2(2)
CLAMPING FORCE	N-m		2303	2303	4675	4675	4675	4675	5635	5635	1686	8526	13720
	kg-m		235	235	477	477	477	477	575	575	172	870	1400
HYDRAULIC PRESSURE	MPa		4.9	4.9	4.9	4.9	4.9	4.9	4.9	4.9	4.9	4.9	4.9
	kg/cm <sup>2</sup>		50	50	50	50	50	50	50	50	50	50	50
PERMISSIBLE LOAD	HORIZONTAL	kg	350	350	500	500	500	500	2500	2500	2500	6000	6000
	VERTICAL	kg	150	150	350	350	350	350	800	800	800	1200	
MAX MACHINING FORCE	N-m		1117	1117	1470	1470	1470	1470	3136	3136	3136	6370	9310
	kg-m		114	114	150	150	150	150	320	320	320	650	950
WEIGHT	kg		215	220	350	360	390	400	800	800	1200	3300	3500

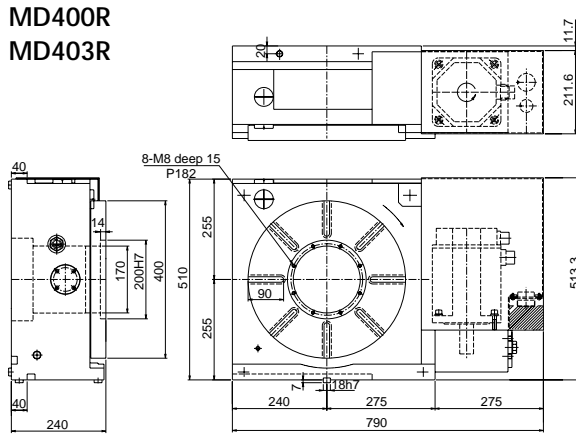
MD322R



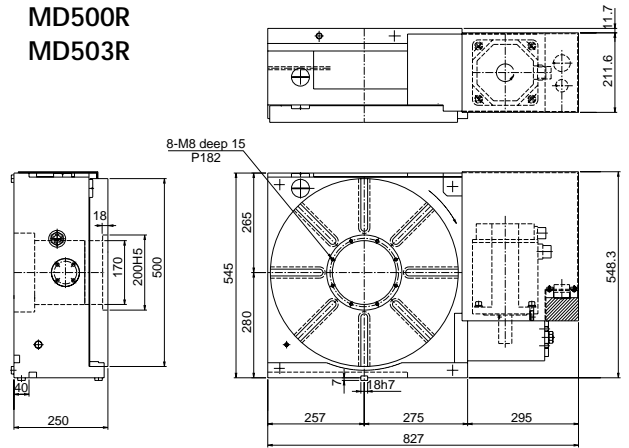
MD323R



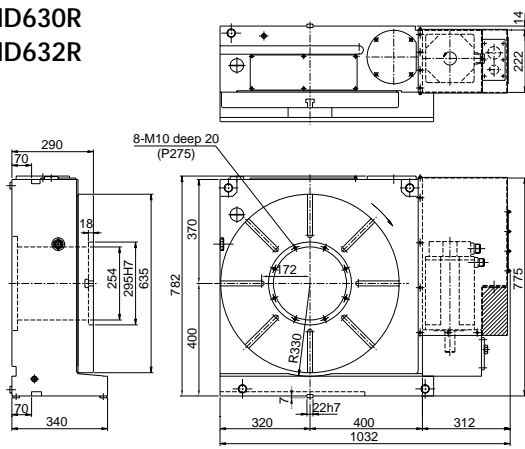
MD400R  
MD403R



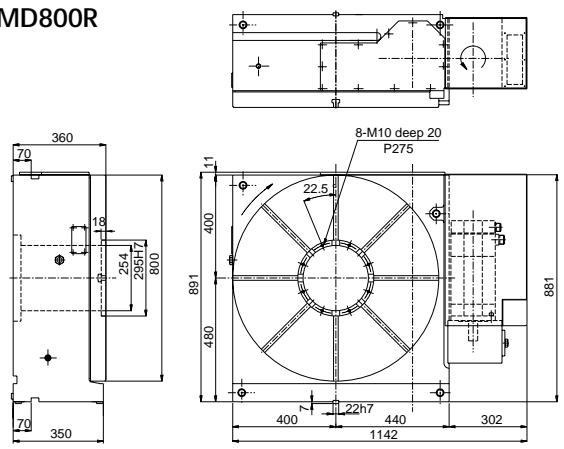
MD500R  
MD503R



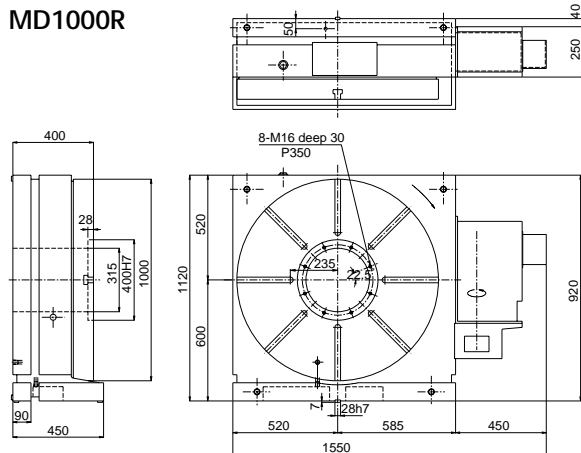
MD630R  
MD632R



MD800R



MD1000R



MD1200R

