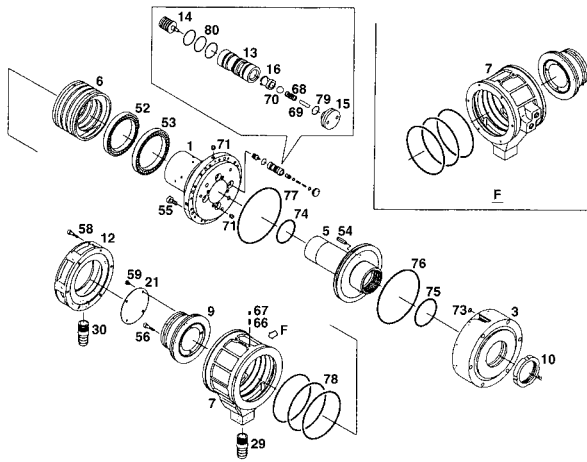


PARTS LIST ZKP-TYPE HYDRAULIC ROTATING CYLINDERS



| Fig | Part name | Type |
|-----|------------------|------|
| 1 | Cylinder body(A) | |
| 3 | Cylinder body(B) | |
| 5 | Piston | |
| 6 | Distributor | |
| 7 | Distributor case | |
| 9 | End plate | |
| 10 | Nut | |
| 13 | Check valve | |
| 14 | Check piston | |
| 15 | Set screw | |
| 16 | Inner bush | |
| 29 | Drain joint | |
| 30 | Drain joint | |
| 52 | Ball bearing# | |
| 53 | Ball bearing# | |
| 54 | Spring roll pin | |

| Fig | Part name |
|-----|------------|
| 55 | Cap screw |
| 56 | Cap screw |
| 66 | Set screw |
| 67 | Set screw |
| 68 | Spring |
| 69 | Needle pin |
| 70 | Steel ball |
| 71 | Plug |
| 73 | "O" ring |
| 74 | "O" ring |
| 75 | "O" ring |
| 76 | "O" ring |
| 77 | "O" ring |
| 78 | "O" ring |
| 79 | "O" ring |
| 80 | "O" ring |