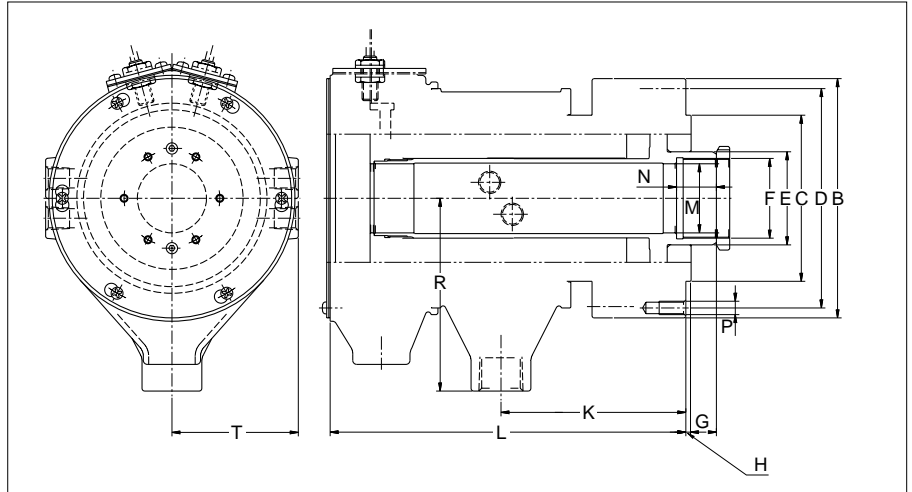


# ZKP THRU-HOLE HYDRAULIC ROTATING CYLINDERS

ZKP / - -

- cylinder type
- piston dia
- thru-hole dia
- piston stroke
- MMK reference number



| Specification    |      | Model              | ZKP100/24-10 | ZKP100/34-10 | ZKP125/46-13 | ZKP150/52-17 | ZKP170/75-20 | ZKP200/85-25 | ZKP230/120-30 |
|------------------|------|--------------------|--------------|--------------|--------------|--------------|--------------|--------------|---------------|
| Piston area      | Push | cm <sup>2</sup>    | 71.47        | 65.97        | 99.82        | 148.4        | 170.2        | 243.28       | 282.7         |
|                  | Pull | cm <sup>2</sup>    | 67.2         | 60.44        | 89.53        | 138.2        | 156.1        | 219.13       | 250.3         |
| Draw Pull        | Push | KN                 | 18.9         | 17.5         | 26.4         | 39.3         | 52.5         | 64.4         | 74.8          |
|                  |      | kg                 | 1930         | 1781         | 2695         | 4007         | 5361         | 6569         | 7633          |
|                  | Pull | KN                 | 17.8         | 16           | 23.7         | 36.6         | 48.2         | 58           | 66.2          |
|                  |      | kg                 | 1814         | 1632         | 2417         | 3731         | 4917         | 5917         | 6758          |
| Stroke of piston |      | mm                 | 10           | 10           | 13           | 17           | 20           | 25           | 30            |
| Thru-hole dia    |      | mm                 | 24           | 34           | 46           | 52           | 75           | 85           | 120           |
| Max speed        |      | min <sup>-1</sup>  | 8000         | 7000         | 7100         | 6300         | 5000         | 4300         | 3400          |
| Max pressure     |      | Mpa                | 2.94         | 2.94         | 2.94         | 2.94         | 3.43         | 2.94         | 2.94          |
|                  |      | kg/cm <sup>2</sup> | 30           | 30           | 30           | 30           | 35           | 30           | 30            |
| GD <sup>2</sup>  |      | N·m <sup>2</sup>   | 0.49         | 0.59         | 1.08         | 3.92         | 4.12         | 6.96         | 19.6          |
|                  |      | kg·m <sup>2</sup>  | 0.05         | 0.06         | 0.11         | 0.4          | 0.42         | 0.71         | 2             |
| Weight           |      | kg                 | 14           | 14           | 18           | 26           | 33           | 42           | 65            |

| Size |     | Model | ZKP100/24-10 | ZKP100/34-10 | ZKP125/46-13 | ZKP150/52-17 | ZKP170/75-20 | ZKP200/85-25 | ZKP230/120-30 |
|------|-----|-------|--------------|--------------|--------------|--------------|--------------|--------------|---------------|
|      | B   |       | 135          | 135          | 160          | 180          | 213          | 240          | 270           |
|      | C   |       | 80           | 80           | 80           | 125          | 145          | 145          | 165           |
|      | D   |       | 115          | 115          | 140          | 165          | 185          | 220          | 250           |
|      | E   |       | 38           | 48           | 65           | 70           | 95           | 110          | 145           |
|      | F   |       | M28 × P1.5   | M40 × P1.5   | M55 × P1.5   | M60 × P1.5   | M85 × P2.0   | M93 × P2.0   | M130 × P2.0   |
| G    | MAX |       | 13           | 13           | 15           | 19           | 22           | 27           | 32            |
|      | MIN |       | 3            | 3            | 2            | 2            | 2            | 2            | 2             |
|      | H   |       | 4            | 4            | 4            | 4            | 4            | 7            | 7             |
|      | K   |       | 132          | 121          | 131.5        | 139          | 167.5        | 190.5        | 207.5         |
|      | L   |       | 254          | 239          | 251.5        | 267.5        | 325          | 363.5        | 396.5         |
|      | M   |       | 24           | 34           | 46           | 52           | 75           | 85           | 120           |
|      | N   |       | 25           | 25           | 30           | 30           | 35           | 35           | 40            |
|      | P   |       | 6-M8deep16   | 6-M8deep16   | 12-M10deep20 | 6-M10deep20  | 6-M10deep20  | 12-M12deep24 | 12-M12deep24  |
|      | R   |       | 100          | 110          | 140          | 145          | 160          | 185          | 230           |
|      | T   |       | 68           | 40           | 85           | 95           | 105          | 120          | 140           |