

# PARTS LIST RH-TYPE HYDRAULIC ROTATING CYLINDERS

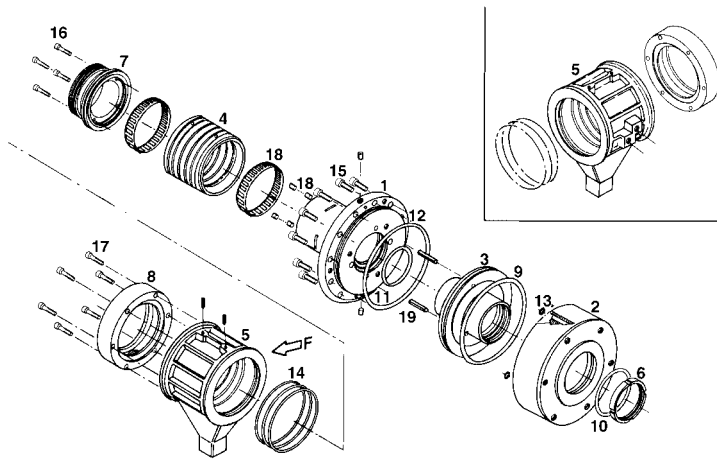


Fig	Part name	Type
1	Cylinder body(A)	
2	Cylinder body(B)	
3	Piston	
4	Distributor	
5	Distributor case	
6	Lock nut	
7	End plate	
8	Coolant cover	
9	"O" ring	
10	"O" ring	
11	"O" ring	
12	"O" ring	
13	"O" ring	
14	"O" ring	
15	Cap screw	
16	Cap screw	
17	Cap screw	
18	Needle bearing	
19	Spring roll pin	