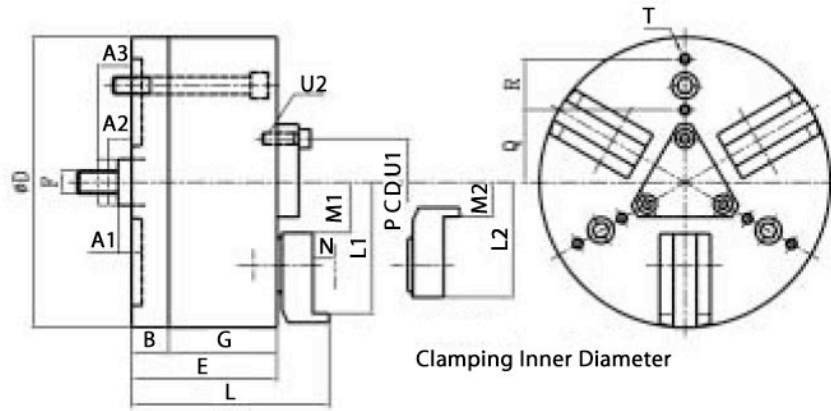


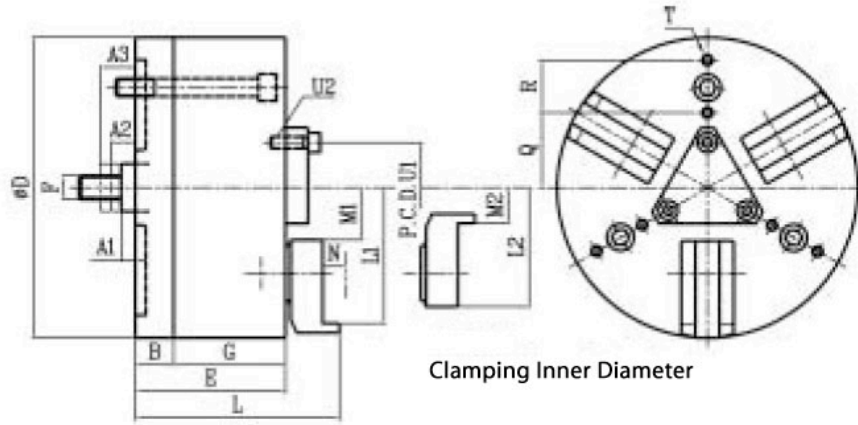
PS Model (Centering)



Model							
Dimension	PS-6	PS-8	PS-10	PS-12	PS-15	PS-18	PS-21
A1	4.4	4.0	4.0	4.0	12.7	12.7	12.7
A2	10.6	12	13.5	13.5	24.7	24.7	24.7
A3	15.7	17.3	21.5	21.5	35	35	35
B	26	30	31.4	31.4	34.9	34.9	34.9
D	162	200	254	300	381	457	533
E	85.2	100	118	118	131	131	131
F	M16	M16	M18	M18	M24	M30	M30
G	59.2	70	86.6	86.6	96.1	96.1	96.1
L	104.5	123.3	147.1	147.1	163.4	163.4	163.4
L1	73.15	88.95	112.7	133.27	171.45	209.55	247.65
L2	78	92.2	112.7	133	176	213.6	252
M1	17.3	22.1	30	50.6	65.8	103.9	142
M2	22.2	25.3	30.1	50.7	69.8	107.9	146.0
N	24.9	24.9	36.5	36.5	41.9	41.9	41.9
Q	37.5	50	65	65	62.5	90	90
R	67.5	85	105	105	107.5	145	145
T	M8	M8	M10	M10	M12	M16	M16
U1	41.5	44.0	57.0	57.0	76.0	105.0	105.0
U2	M6 x 12	M6 x 12	M8 x 15	M8 x 15	M8 x 15	M10 x 15	M 10 x 15

Model									
Specification	Unit	PS-6	PS-8	PS-10	PS-12	PS-15	PS-18	PS-21	
Gripping Force	Kgf	6600	8700	10800	10800	16500	16500	16500	
	(KN)	(64.7)	(87.3)	(105.8)	(105.8)	(161.7)	(161.7)	(161.7)	
Max Draw-Pull	Kgf	2200	2900	3600	3600	5500	5500	5500	
	(KN)	(21.6)	(28.4)	(35.3)	(35.3)	(53.9)	(53.9)	(53.9)	
Max Speed	R.P.M.	3000	2800	2500	2000	1600	1200	900	
Jaw Stroke (Dia.)	mm	7.9	9.5	12.7	12.7	15.8	15.8	15.8	
Shifter Stroke	mm	11.3	13.3	17.5	17.5	22.3	22.3	22.3	
Chucking Diameter	Inner Dia.	mm	12.7-120	16-152	50-203	63-241	76-317	89-394	162-470
	Outer Dia.	mm	70-152	76-203	85-235	127-305	165-381	241-457	317-533
Weight	Kg	18	27	45	67.5	84.5	120	180	
GD ²	Kgf-m ²	0.15	0.48	1.23	2.42	8.49	15.17	25.00	
	(N-m ²)	(1.47)	(4.70)	(12.05)	(23.72)	(83.20)	(148.67)	(245.00)	
Applicable Cylinder		RNKP105-15-02	RNKP120-25-07	RNKP120-25-07	RNKP120-25-07	RNKP150-35-01	RNKP150-35-01	RNKP150-35-01	

PSC Model (Compensating)



Model							
Dimension	PSC-6	PSC-8	PSC-10	PSC-12	PSC-15	PSC-18	PSC-21
A1	4.4	4.0	4.0	4.0	12.7	12.7	12.7
A2	10.6	12	13.5	13.5	24.7	24.7	24.7
A3	15.7	17.3	21.5	21.5	35	35	35
B	26	30	31.4	31.4	34.9	34.9	34.9
D	162	200	254	300	381	457	533
E	85.2	100	118	118	131	131	131
F	M16	M16	M18	M18	M24	M30	M30
G	59.2	70	86.6	86.6	96.1	96.1	96.1
L	104.5	123.3	147.1	147.1	163.4	163.4	163.4
L1	73.15	88.95	112.7	133.27	171.45	209.55	247.65
L2	78	92.2	112.7	133	176	213.6	252
M1	17.3	22.1	30	50.6	65.8	103.9	142
M2	22.2	25.3	30.1	50.7	69.8	107.9	146.0
N	24.9	24.9	36.5	36.5	41.9	41.9	41.9
Q	37.5	50	65	65	62.5	90	90
R	67.5	85	105	105	107.5	145	145
T	M8	M8	M10	M10	M12	M16	M16
U1	41.5	44.0	57.0	57.0	76.0	105.0	105.0
U2	M6 x 12	M6 x 12	M8 x 15	M8 x 15	M8 x 15	M10 x 15	M 10 x 15

Model									
Specification	Unit	PSC-6	PSC-8	PSC-10	PSC-12	PSC-15	PSC-18	PSC-21	
Gripping Force	Kgf (KN)	6600 (64.7)	8700 (87.3)	10800 (105.8)	10800 (105.8)	16500 (161.7)	16500 (161.7)	16500 (161.7)	
Max Draw-Pull	Kgf (KN)	2200 (21.6)	2900 (28.4)	3600 (35.3)	3600 (35.3)	5500 (53.9)	5500 (53.9)	5500 (53.9)	
Max Speed	R.P.M.	3000	2800	2500	2000	1600	1200	900	
Jaw Stroke (Dia.)	mm	7.9	9.5	12.7	12.7	15.8	15.8	15.8	
Shifter Stroke	mm	11.3	13.3	17.5	17.5	22.3	22.3	22.3	
Chucking Diameter	Inner Dia.	mm	12.7-120	16-152	50-203	63-241	76-317	89-394	162-470
	Outer Dia.	mm	70-152	76-203	85-235	127-305	165-381	241-457	317-533
Weight	Kg	18	27	45	67.5	84.5	120	180	
GD ²	Kgf-m ² (N-m ²)	0.15 (1.47)	0.48 (4.70)	1.23 (12.05)	2.42 (23.72)	8.49 (83.20)	15.17 (148.67)	25.00 (245.00)	
Applicable Cylinder		RNKP105-15-02	RNKP120-25-07	RNKP120-25-07	RNKP120-25-07	RNKP150-35-01	RNKP150-35-01	RNKP150-35-01	

