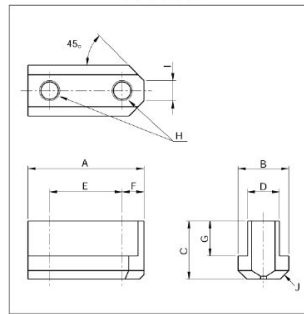


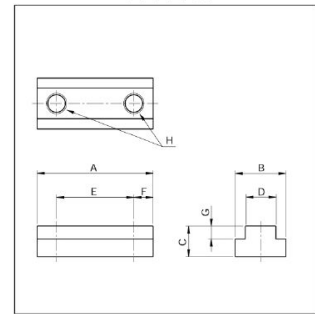
T-NUT



TYPE-S



TYPE-K



Type	Chuck size	Reference No.	A	B	C	D	E	F	G	H	J	I	Soft or Hard Jaws	Applicable model
S	4, 5	4604012	26	17	19	10	14	6	12	M8	C3	4	Soft Jaws	Z,H,HH
	5	61060105	30	15	16.5	10	19	5.5	11	M8	—	5	Soft Jaws	HXA,HHXA
	6	60060002	40	17.5	20	11	25	7.5	12.5	M8	C3	7	Soft Jaws	Z,H,HH
		4606067	31	17.5	20	11	16	7.5	12.5	M8	C3	7	Hard Jaws	Z,H,HH
	8	60080002	45	20	23	14	25	10	14.5	M12	C4	10	Soft Jaws	Z,H,HH
		4608090	40	20	22	14	20	10	13.5	M12	C4	10	Hard Jaws	Z,H,HH
	10	60100002	50	23	23	16	30	10	15	M12	C4	15	Soft Jaws	Z,H,HH
		60100102	52	23	23	16	32	10	15	M12	C4	15	Soft Jaws	Z,H,HH ※
	12	4610066	45	23	23	16	25	10	15	M12	C4	15	Hard Jaws	Z,H,HH
		60120002	54	29	30	18	30	12	16	M14	C6	15	Soft Jaws Hard Jaws	Z,H,HH
15,18,22	60120102	56	29	30	18	32	12	16	M14	C6	15	Soft Jaws	Z,H,HH ※	
	60150102	80	34	39.5	22	50	15	20	M20	C6	12	Soft Jaws Hard Jaws	Z,H,HH	
K	21,24~40	4228006	114.2	40	30.2	30	76.2	19	17.5	M20	C1	—	Soft Jaws Hard Jaws	H,HH

※ to application for HITACHI SEIKI MACHINES